

STC

Manual & Actuated Process Valves



connects fluid power to industrial automation™

Table of Contents

STC Valve Numbering System.....2

STC Solenoid Valve List Price.....3

Electrical Coil List Price.....4

STC Solenoid Valve Specifications.....4

STC Valve List Price.....4

STC Valve Technical Data.....5-8

STC Valve Numbering System

Ordering Part No. =
eg. 2W025-1-D

	2W	025	08	1	D
	Model	BODY SIZE	PORT SIZE (NPT)	VOLTAGE	ELEC. CONNECTION
SOLENOID VALVES	2W	025	08 = 1/4	1 = 12 VDC	D = DIN with Conduit Terminal
	2L	040	10 = 3/8	2 = 24 VDC	G = Grommet Terminal
	VX	160	15 = 1/2	2A = 24 VAC	
	VXF	160	20 = 3/4	3 = 110 VAC	
	2S	200	25 = 1	4 = 220VAC	
	2P	250	40 = 1 1/2		
		400	50 = 2		
AIR PILOT VALVES	QW	500			

Ordering Part No. =
eg. 2W200C-1

	2W200C	1
	MODEL	VOLTAGE
COILS	2W200C = Coil for 2W/2S/2L series valves	1 = 12 VDC
	200C = Coil for 2P Series Valves	2 = 24 VDC
		2A = 24 VAC
		3 = 110 VAC
		4 = 220VAC

Ordering Part No. =
eg. V1-1/4

	V1	1/4
	MODEL	PORT SIZE (NPT)
MANUAL BALL VALVES	V1	1/4
	V2	3/8
	V3	1/2
	V3C	3/4
	T101L	1
	T400	1 1/4
	T400FM	1 1/2
		2






STC Solenoid Valve List Price

To Order, Please Specify: 1. Model No. 2. Voltage

	Part No.	List Price	Port Size (NPT)	Cv	Voltage	Features		
	2W025-08	\$18.00	1/4	0.23	Voltage Options: 1 = 12 VDC 2 = 24VDC 3 = 110VAC 4 = 220VAC	2 Way, Direct Acting, Normally Closed Brass Body Seals: NBR Operating Temp: -5 to 80 deg. C Operating Pressure: 145 PSI Coil: F Class, IP65, 100% ED Service: Air, Water, Oil		
	2W040-10	\$31.05	3/8	0.6				
	2W160-10	\$49.50	3/8	4.8				
	2W160-15	\$49.50	1/2	4.8				
	2W200-20	\$57.15	3/4	7.6				
	2W250-25	\$69.75	1	12				
	2W400-40	\$171.00	1 1/2	29				
2W500-50	\$248.40	2	48					
	2L170-10		3/8	4.8			Voltage Options: 1 = 12 VDC 2 = 24VDC 3 = 110VAC 4 = 220VAC	2 Way, Direct Acting, Normally Closed Brass Body, Seals: PTFE Operating Temp: -5 to 150 deg. C Operating Pressure: 215 PSI Coil: F Class, IP65, 100% ED Service: Air, Water, Steam
	2L170-15	\$94.05	1/2	4.8				
	2L170-20	\$106.65	3/4	4.8				
	2L170-25	\$119.25	1	12				
	2L170-35		1 1/4	20				
	2L170-40	\$196.65	1 1/2	20				
	2L170-50		2	48				
	VX2120-06		1/8	0.33	Voltage Options: 1 = 12 VDC 2 = 24VDC 3 = 110VAC 4 = 220VAC	2 Way, Direct Acting, Normally Closed Brass Body, Seals: VITON Operating Temp -5 to 150 deg. C Operating Pressure: 140 PSI Coil: F Class, IP65, 100% ED Service: Air, Water, Steam		
	VX2120-08		1/4	0.33				
	VX2120-10		3/8	4				
	VX2120-15		1/2	4				
	VXF2120-06		1/8		Voltage Options: 1 = 12 VDC 2 = 24VDC 3 = 110VAC 4 = 220VAC	2 Way, Direct Acting, Normally Closed Stainless Steel Body; Seals: VITON Operating Temp: -5 to 150 deg. C Operating Pressure: 150 PSI Coil: F Class, IP65, 100% ED Service: Liquid		
	VXF2120-08		1/4					
	VXF2120-10		3/8					
	VXF2120-15		1/2					
	2S025	\$27.90	1/4	0.23	Voltage Options: 1 = 12 VDC 2 = 24VDC 3 = 110VAC 4 = 220VAC	2 Way, Direct Acting, Normally Closed 304 Stainless Steel Body; Seals: VITON Operating Temp -5 to 150 deg. C Operating Pressure: 150 PSI Coil: F Class, IP65, 100% ED Service: Air, Water, Oil		
	2S040	\$38.70	3/8	0.6				
	2P-06	\$16.75	1/8	0.23	Voltage Options: 1 = 12 VDC 2 = 24VDC 3 = 110VAC 4 = 220VAC	2 Way, Direct Acting, Normally Closed Engineered Plastic Body; Seals: NBR Operating Temp -5 to 80 deg. C Operating Pressure: 100 PSI Coil: F Class, IP65, 100% ED Service: Air, Liquid		
	2P-08	\$16.75	1/4	0.23				
	QW-25		1	12	Pilot Pressure: 80-150 PSI	2 Way, Direct Acting, NC or NO Brass Body; Seals: Viton Operating Temp -5 to 150 deg. C Operating Pressure: 145 PSI Air Pilot Pressure: 80-150 PSI Service: Air, Water, Oil, Gas		
	QW-40		1 1/2	29				
	QW-50		2	48				

Electrical Coil List Price

	Part No.	List Price	Voltage Options	Electrical Connection Options	Power Consumption	Specifications
	2W200C	\$11.70	Voltage Options: 1 = 12 VDC 2 = 24VDC 2A=24VAC 3 = 110VAC 4 = 220VAC	D = DIN (with LED indicator, conduit terminal)	For 2W	Insulation: F Class IP65 Coil Duty Cycle: 100% ED
	100C	\$6.48		G = Grommet (18" Lead Wire)	2.5 W	
	200C	\$6.48			3 W	

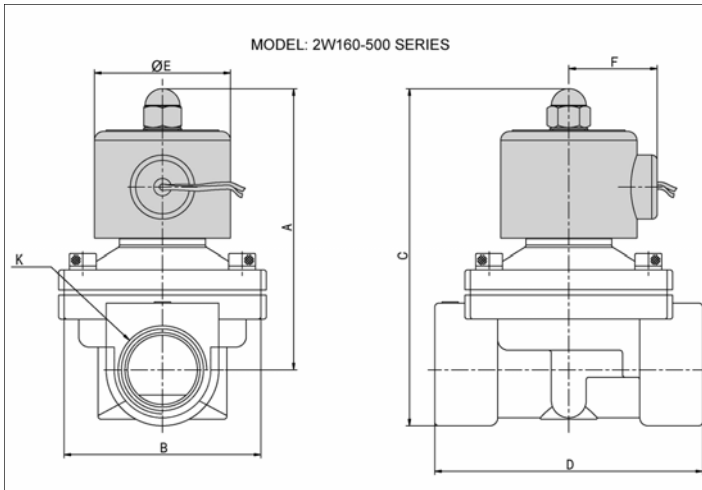
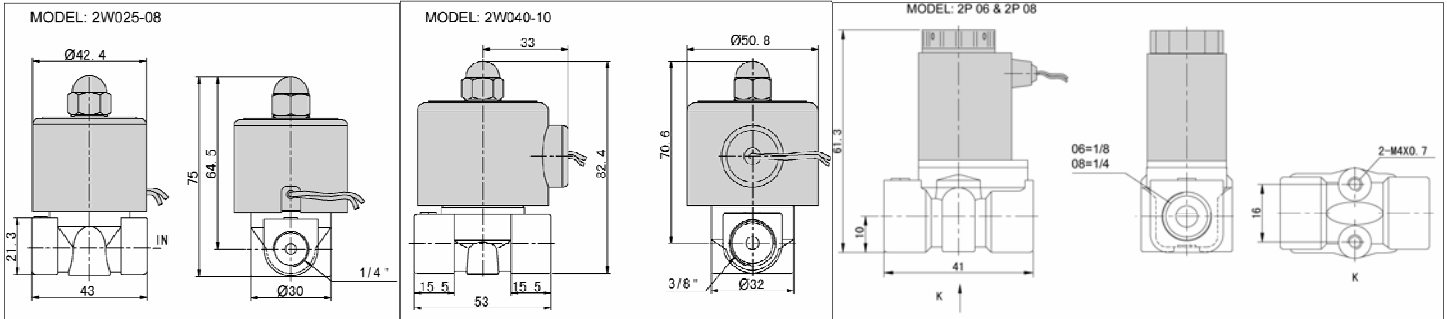
Solenoid Valve Specifications

Valve Type	2W Series	2L Series	VX Series	VXF Series	2S Series	QW
Operating Pressure	0 to 145 PSI	0 to 210 PSI	0 to 145 PSI	0 to 115 PSI	0 to 145 PSI	0 to 145 PSI
Operating Temperature	-5 TO 80 Deg. C	-5 TO 150 Deg. C	-5 TO 150 Deg. C	-5 TO 150 Deg. C	-5 TO 150 Deg. C	-5 TO 80 Deg. C
Body Materials	Brass	Brass	Brass	304 Stainless Steel	304 Stainless Steel	Brass
Seal Materials	NBR	PTFE	VITON	VITON	VITON	NBR
Coil Protection Insulation	F Class IP65	F Class IP65	F Class IP65	F Class IP65	F Class IP65	Air Pilot Operated
Coil Duty Cycle	100% ED	100% ED	100% ED	100% ED	100% ED	
Electrical Connections	D = DIN (with LED indicator, conduit terminal)			N/A		
Service	Air, Liquid	Air, Liquid, Steam	Air, Liquid, Steam	Air, Liquid, Steam	Air, Liquid	Air, Liquid, Gas

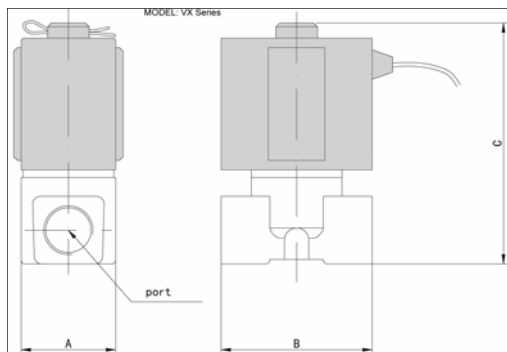
STC Valve List Price

													
Reduced Port Ball Valves	Full Port Ball Valves	Full Port Ball Valves	Full Port Ball Valves	Full Port Butterfly Valves	Needle Valves								
Model	V1	V2	V3	V3C	VBS01	VN01							
Material	316 SS	316 SS	316 SS	316 SS	316 SS	316 Stainless Steel							
Connection	FNPT	FNPT	FNPT	Clamp	Clamp	NPT Female							
Size 1/4"	V1-1/4	V2-1/4	V3-1/4			VN01-1/4							
	\$7.28	\$11.10	\$14.56			\$13.60							
3/8"	V1-3/8	V2-3/8	V3-3/8			VN01-3/8							
	\$7.28	\$11.10	\$14.56			\$13.60							
1/2"	V1-1/2	V2-1/2	V3-1/2			VN01-1/2							
	\$7.54	\$11.44	\$14.56			\$16.13							
3/4"	V1-3/4	V2-3/4	V3-3/4			VN01-3/4							
	\$9.28	\$14.50	\$18.72			\$21.95							
1"	V1-1	V2-1	V3-1	V3C-1	VBS01- 1	VN01-1							
	\$12.48	\$20.54	\$22.88	\$24.02	\$61.26	\$29.70							
1 1/2"	V1-1 1/2	V2-1 1/2	V3-1 1/2	V3C-1 1/2	VBS01- 1 1/2								
	\$23.87	\$44.85	\$47.84	\$49.40	\$77.56								
2"	V1-2	V2-2	V3-2	V3C- 2	VBS01- 2								
	\$31.72	\$57.98	\$65.00	\$67.08	\$97.81								
													
Miniature Chrome-Plated Brass Ball Valves	Miniature Chrome-Plated Brass Ball Valves	Full Port UL Listed Brass Ball Valves											
Model	T400	T400FM	T101L										
Material	Brass	Brass	Brass										
Connection	F NPT	F x M NPT	F NPT										
Size 1/4"	T400-1/4	T400FM-1/4	T101L-1/4										
	\$1.95	\$1.95	\$2.47										
3/8"	T400-3/8	T400FM-1/4	T101-3/8										
	\$2.25	\$2.25											
1/2"	T400-1/2	T400FM-1/4	T101L-1/2										
	\$2.40	\$2.40	\$3.84										
3/4"			T101L-3/4										
			\$5.75										
1"			T101L-1										
			\$9.51										
1 1/2"			T101L-1 1/2										
			\$19.90										
2"			T101L-2										
			\$28.56										

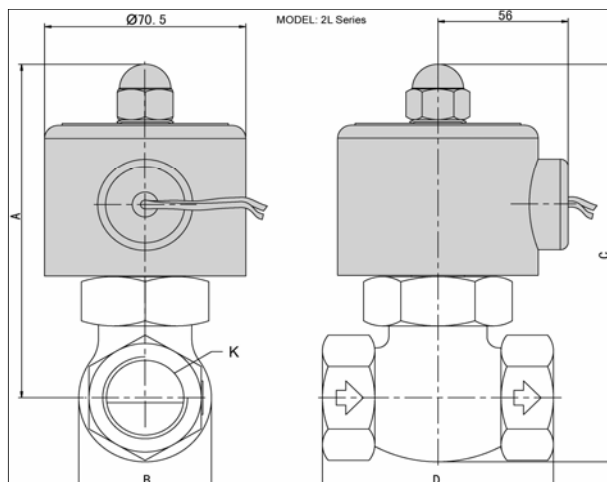
STC Valve Technical Data



MODEL: 2W Series (MM)						
	A	B	C	D	E	F
2W160-10	101.5	57	117	69	50	36
2W160-15	101.5	57	117	69	50	36
2W200-20	107.0	57	124	73	50	36
2W250-25	111.5	74	135	99	50	36
2W350-35	142.0	95	172	123	70.5	56
2W400-40	142.0	95	172	123	70.5	56
2W500-50	172.0	123	209	168	70.5	56



MODEL: VX Series (MM)				
	Port (NPT)	A	B	C
VX2120-06	1/8	25	40	64
VX2120-08	1/4	25	40	64
VX2120-10	3/8	48	68	110
VX2120-15	1/2	48	68	110





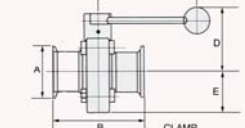

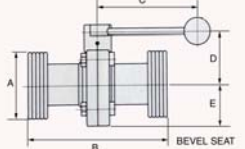


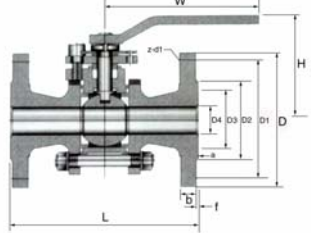
MODEL: 2L Series (MM)					
	A	B	C	D	K
2L170-10	125	42	146	82	3/8
2L170-15	125	42	146	82	1/2
2L170-20	125	42	146	82	3/4
2L170-25	136	52	162	91	1
2L170-35	148	74	185	111	1 1/4
2L170-40	148	74	185	111	1 1/2
2L170-50	176	86	223	163	2

STC Valve Technical Data

		Model: V1 SPECIFICATIONS						MAIN PARTS AND MATERIALS									
		One Piece Reduced Port 316 Stainless Steel Ball Valve						NO	PART NAME	MATERIAL	QTY						
		Maximum Operating Pressure: 1000 PSIG @ 100°F WOG*						1	SEAT	PTFE	2						
		Operating Temperature Range: -60 to 450°F*						2	BALL	SS316	1						
		End Connections: NPT Threaded with Padlocking device						3	JOINT GASKET	PTFE	1						
		DIMENSIONS (mm)						4	CAP	SS316	1						
SIZE	d	L	H	W	Wt (kg)		5	BODY	SS316/CF8M	1							
1/4"	5	39	35	64	0.07		6	STEM	SS316	1							
3/8"	7	44	37	70	0.1		7	THRUST WASHER	PTFE	1							
1/2"	9.2	56.5	43.5	90	0.16		8	STEM PACKING	PTFE	1							
3/4"	12.5	58	47	90	0.25		9	GLAND NUT	SS304	1							
1"	15	70	50	103	0.43		10	STEM WASHER	SS304	1							
1 1/4"	20	78	57	103	0.7		11	STEM NUT	SS304	1							
1 1/2"	24.5	83	69	127	0.83		12	HANDLE COVER	PLASTIC	1							
2"	32	100	74.5	127	1.5		13	HANDLE	SS304	1							
		Model: V2 SPECIFICATIONS										MAIN PARTS AND MATERIALS					
		Two Piece Full Port 316 Stainless Steel Ball Valve										NO	PART NAME	MATERIAL	QTY		
		Maximum Operating Pressure: 1/4" to 2" 1000 PSIG @ 100°F WOG* 2 1/2" to 3" 800 PSIG @ 100°F WOG*										1	SEAT	PTFE	2		
		Temperature Range: -60 to 450°F*										2	BALL	SS316	1		
		End Connections: NPT Threaded with Padlocking & panel mount device										3	JOINT GASKET	PTFE	1		
		DIMENSIONS (mm)										4	CAP	SS316	1		
SIZE	1/4"	3/8"	1/2"	3/4"	1"	1 1/4"	1 1/2"	2"	2 1/2"	3"	5	BODY	SS316/CF8M	1			
d	11.6	12.7	15	20	25.4	32	38	50.8	65	76	6	STEM	SS316	1			
L	55	55	63.5	75	88	103	110	124	167	192	7	THRUST WASHER	PTFE	1			
H	48	48	50	57	69	73	83	92	136	149	8	STEM PACKING	PTFE	1			
W	103	103	103	125	145	145	190	190	250	250	9	GLAND NUT	SS304	1			
SIZE	1/4"	3/8"	1/2"	3/4"	1"	1 1/4"	1 1/2"	2"	2 1/2"	3"	10	STEM WASHER	SS304	1			
d	11.6	12.7	15	20	25.4	32	38	50.8	65	76	11	STEM NUT	SS304	1			
L	55	55	63.5	75	88	103	110	124	167	192	12	HANDLE COVER	PLASTIC	1			
H	48	48	50	57	69	73	83	92	136	149	13	HANDLE	SS304	1			
W	103	103	103	125	145	145	190	190	250	250							
		Model: V3 SPECIFICATIONS												MAIN PARTS AND MATERIALS			
		Maximum Operating Pressure: 1/2" to 2" 1000 PSI @ 100°F WOG* 2 1/2" to 3" 800 PSI @ 100°F WOG*												NO	PART NAME	MATERIAL	QTY
		Temperature Range: -60 to 450°F*												1	SEAT	PTFE	2
		Full Port												2	BALL	SS316	1
		End Connections: FNPT												3	JOINT GASKET	PTFE	1
		Mounting Options: Padlocking device and actuator mounting bracket												4	CAP	SS316	1
		DIMENSIONS (mm)												5	BODY, BODY CONNECTOR	SS316/CF8M	1, 2
		SIZE	1/4"	3/8"	1/2"	3/4"	1"	1 1/4"	1 1/2"	2"	2 1/2"	3"	4"	6	STEM	SS316	1
d	mm	12.5	12.5	15	20	25	30	38	50	64	80	98	7	THRUST WASHER	PTFE	1	
d	in	0.49	0.49	0.59	0.79	0.98	1.18	1.5	1.97	2.52	3.15	3.86	8	STEM PACKING	PTFE	1	
H	mm	57	57	68	70	80	84	93	100	142	155	172	9	GLAND NUT	SS304	1	
H	in	2.24	2.24	2.68	2.76	3.15	3.31	3.66	3.94	5.59	6.1	6.77	10	STEM WASHER	SS304	1	
W	mm	96	96	124	124	142	142	202	202	250	250	300	11	STEM NUT	SS304	1	
W	in	3.78	3.78	4.88	4.88	5.99	5.99	7.95	7.95	9.84	9.84	11.81	12	HANDLE COVER	PLASTIC	1	
L	mm	68	68	72	83	90	112	120	147	174	193	216	13	HANDLE	SS304	1	
L	in	2.56	2.56	2.84	3.35	3.62	4.33	4.48	5.59	6.85	7.6	8.5	14	BODY CONNECTOR BOLT	SS304	4	
													15	BODY CONNECTOR NUT & WASHER	SS304	4	

* Refer to Maximum Operating Pressure -Temperature Data on Page 8 for more information

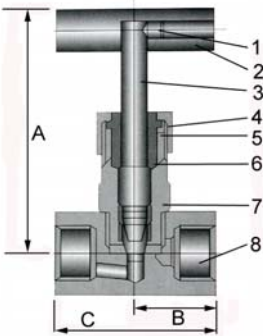
STC Valve Technical Data

 		Model: VBS01 SPECIFICATIONS						MAIN PARTS AND MATERIALS				
		NO	PART NAME	MATERIAL								
 		Size: 1/2" to 4"						1	BODY	SS316 or SS316L		
		Full Port						2	STEM WASHER	SS304		
 		Connection Options: Butt weld, Clamp, or Male Thread, Female Ends (RJT, IDF, DIN, SMS) .						3	STEM NUT	SS304		
		Operating Pressure: -13 PSIG to 150 PSIG WOG*						4	HANDLE	304 SS/Plastic		
		Temperature Range: -10°C to 150°C with Silicone, or Viton*						5	GASKET	Silicone, EPDM, or Viton		
		Disc Head Size: 9.4 mm (to fit actuator)						6	BODY CONNECTOR BOLT	SS304		
		Operator Options: Lever, Actuators						7	BODY CONNECTOR NUT & WASHER	SS304		
		Body Material Options: 316SS, or 316L SS						8	BUTTERFLY	SS316/SS316L		
		Handle: 304 SS/Plastic										
		Seat Options :Silicone, EPDM or Viton										
		DIMENSIONS (mm)										
	A	B	B	B	C	D	E					
Size	Weld	Clamp	Bevel									
1"	47.63	88.9	122.24	100	74	39						
1 1/2"	47.63	88.9	134.94	110	47	39						
2"	52.39	95.25	163.51	110	83.5	49.5						
2 1/2"	53.98	96.84	174.63	110	93	58.5						
3"	61.91	104.78	196.26	159	98	66						
4"	79.38	122.24	228.6	159	118	84.5						
 		Model: V3C SPECIFICATIONS						MAIN PARTS AND MATERIALS				
		NO	PART NAME	MATERIAL	QTY							
		Sanitary Stainless Steel Ball Valve: These valves are made with precision machined Teflon seat for use in Sanitary applications. They are three piece design and have four bolts that permit quick and easy access to service the valve without disrupting the pipe line connections.						1	SEAT	PTFE	2	
		Maximum Operating Pressure: 1/2" to 2" 1000 PSI @ 100°F WOG* 2 1/2" to 4" 800 PSI @ 100°F WOG*						2	BALL	SS316	1	
		Temperature Range: -60 to 450°F*						3	JOINT GASKET	PTFE	1	
		Full Port						4	CAP	SS316	1	
		End Connections: Clamp End						5	BODY, BODY CONNECTOR	SS316/CF8M	1, 2	
		Mounting Options: Padlocking device and actuator mounting bracket						6	STEM	SS316	1	
		DIMENSIONS (mm)						7	THRUST WASHER	PTFE	1	
SIZE	PORT (d)	L	A	A1	H	T1	T2	W				
1/2"	9.6	75	25	20.24	64	--	3.63	125	8	STEM PACKING	PTFE	1
3/4"	15.9	90	25	20.24	67	--	3.63	125	9	GLAND NUT	SS304	1
1"	22.2	100	50.4	43.6	83	2.85	4.75	140	10	STEM WASHER	SS304	1
1 1/4"	28.5	110	50.4	43.6	89	2.85	4.75	140	11	STEM NUT	SS304	1
1 1/2"	34.9	125	50.4	43.6	100	2.85	--	200	12	HANDLE COVER	PLASTIC	1
2"	47.5	150	63.9	56.3	108	2.85	--	200	13	HANDLE	SS304	1
2 1/2"	60.2	190	77.4	70.6	150	2.85	--	250	14	CONNECTOR BOLT	SS304	4
3"	72.9	220	90	83.3	161	2.85	--	250	15	CONNECTOR NUT & WASHER	SS304	4
4"	97.4	270	118.9	110.3	180	2.85	--	250				
 		Model: V3FL SPECIFICATIONS						MAIN PARTS AND MATERIALS				
		NO	PART NAME	MATERIAL	QTY							
		Maximum Operating Pressure: 560 PSIG @ 100°F WOG*						1	SEAT	PTFE	2	
		Temperature Range: -60 to 450°F*						2	BALL	SS316	1	
		Face to Face Dimensions: DIN						3	JOINT GASKET	PTFE	1	
		Full port						4	CAP	SS316	1	
		End Connections: 150# Flange						5	BODY, BODY CONNECTOR	SS316/CF8M	1, 2	
		Operator Options: Lever, Gear, or Actuator						6	STEM	SS316	1	
		DIMENSIONS (mm)						7	THRUST WASHER	PTFE	1	
DN (in)	DN (mm)	d	L	W	H	D	D1	D2	D3*a	b	f	Z-d1
1/2"	15	15	130	130	77	95	65	45	40*4	16	2	4-14
3/4"	20	19	150	130	77	105	75	55	51*4	16	2	4-14
1"	25	25	160	130	88	115	85	65	58*4	16	2	4-14
1 1/4"	32	32	180	180	113	135	100	78	66*4	18	2	4-18
1 1/2"	40	38	200	230	132	145	110	85	76*4	18	3	4-18
2"	50	50	230	230	142	160	125	100	88*4	20	3	4-18
2 1/2"	65	65	290	400	173	180	145	120	110*4	22	3	8-18
3"	80	76	310	400	182	195	160	135	121*4	22	3	8-18
4"	100	100	350	640	250	230	190	160	150*4	24	3	8-23

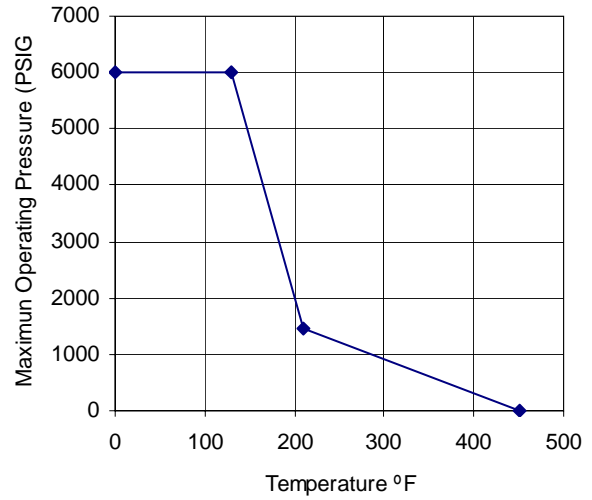
STC Valve Technical Data



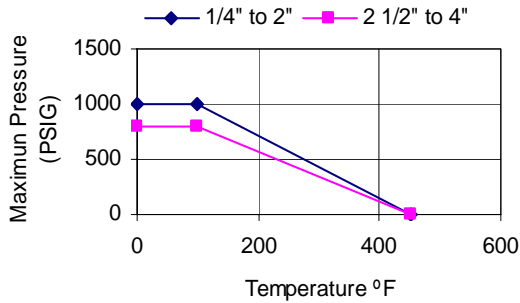
Model: VN01 SPECIFICATIONS						
End Connections: NPT threaded ASME b1.20.1						
DIN 2999 & BS21; ISO 228/1 & ISO 7/1						
Max. Operating Pressure: 6000 PSIG @ 100 °F*						
Operating Temperature Range: -60 to 450°F*						
Fire safe design						
MAIN PARTS AND MATERIALS						
NO	PART NAME	MATERIAL				
1	SET SCREW	SS304				
2	HANDLE	SS410				
3	STEM	SS316				
4	GLAND NUT	SS304				
5	GLAND	SS304				
6	PACKING	TEFLON				
7	BONNET	SS316/CF8M				
8	BODY	SS316/CF8M				
DIMENSIONS (mm)						
SIZE	1/8"	1/4"	3/8"	1/2"	3/4"	1"
A	75	75	75	87	90	103
B	25	25	25	30	32.5	40
C	50	50	50	60	65	80



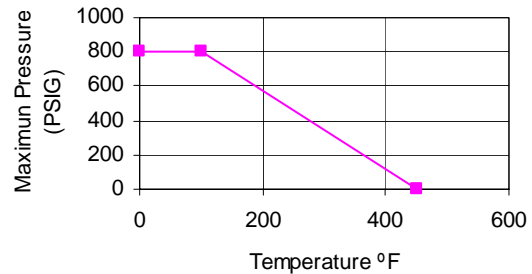
Maximum Operating Pressure -Temperature Data
1/8" to 1" Needle Valve Model: VN01



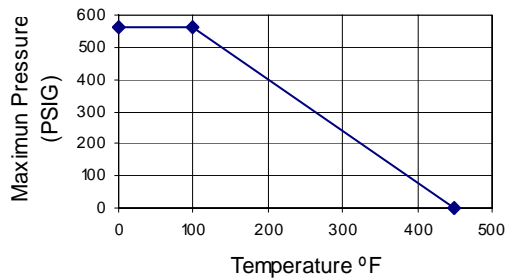
Maximum Operating Pressure -Temperature Data
1/4" to 2" Ball Valve Model: V1, V2, V3, V3A-C



Maximum Operating Pressure -Temperature Data
1/4" to 2" Ball Valve Model: V1B, V1BB



Maximum Operating Pressure -Temperature Data
1/2" to 4" Ball Valve Model: V3FL



Maximum Operating Pressure -Temperature Data
1/2" to 4" Butterfly Valve Model: VBS01

