









STC Solenoid & Air Pilot Valves

				
	<p>Precision Engineered</p> <p>Fine Quality</p>  <p>Advanced Design</p> <p>Excellent Prices</p>			
				
				
				
				



connects fluid power to industrial automation™

Table of Contents

STC Solenoid Valve Numbering System.....	2
Solenoid Valve List Price.....	3
Coil List Price.....	3
Air Pilot Valve List Price.....	4
Integrated Aluminum Base Mounted Manifolds.....	4
Solenoid Valve and Air Pilot Valve Specifications.....	4
Solenoid and Air Pilot Valves, and Manifolds Dimensions.....	5-8

STC Solenoid Valve Numbering System

Ordering Part No. = (eg. 4V110-06-1-D)

4V

1

10

06

1

D

Model	Valve Size	Solenoid/Position	Port Size (NPT)	Voltage	Elec. Terminal
4V = 4 way solenoid valve	1 = 0.67 Cv	10 = 1 solenoid 2 position	06 = 1/8	Blank = Standard	1 = 12 VDC
4A = 4 way air pilot valve	2 = 0.89 Cv	20 = 2 solenoid 2 position	08 = 1/4	B = Namur Mounting	2 = 24 VDC
3V = 3 way solenoid valve	3 = 1.68 Cv	30 = 2 solenoid 3 position	10 = 3/8		2A = 24 VAC
3A = 3 way air pilot valve	4 = 2.78 Cv		15 = 1/2		3 = 110 VAC
					4 = 220VAC
					D = DIN
					G = Grommet

STC Valve Manifold Numbering System*

Ordering Part No. = (eg. 4V100M-2)

4V100M

2

..... or

B

Model	No. of Stations	Blank Plate
4V100M = Manifold for 4V100 series valves	2	B = Blank plate
4V200M = Manifold for 4V200 series valves	4	
4V300M = Manifold for 4V300 series valves	6	
4V400M = Manifold for 4V400 series valves	8	
3V100M = Manifold for 3V100 series valves	16	
3V200M = Manifold for 3V200 series valves		
3V300M = Manifold for 3V300 series valves		
3V400M = Manifold for 3V400 series valves		

* gasket and mounting hardware included






STC Solenoid Valve List Price

To Order, Please Specify: 1. Model No. 2. Voltage 3. Electrical Entry Options

	Part No.	Price	Voltage & Electrical	Port Size (NPT)	# Way/Port/Position/Solenoid	Cv	Power
	2V025-06	\$17.10	A. Voltage Options: 1 = 12 VDC 2 = 24VDC 2A=24VAC 3 = 110VAC 4 = 220VAC B. Terminal Options: D = DIN (with LED indicator & Conduit Terminal) G = Grommet (18" Lead Wire)	1/8	2/2/2/1 Direct Acting	0.23	3 W
	2V025-08	\$17.10		1/4			
	2V035-06	\$17.10		1/8	3/2/2/1 Direct Acting		
	2V035-08	\$17.10		1/4			
	2V1-06	\$17.10		1/8	2/2/2/1 Direct Acting	0.23	3 W
	3V1-06	\$17.10		1/8	3/2/2/1 Direct Acting		
	3V110-06	\$22.05		1/8	3/3/2/1	0.67	2.5 W
	3V210-08	\$22.05		1/4, 1/8 (Exh)		0.89	3 W
	3V310-10	\$29.70		3/8, 1/4 (Exh)		1.68	3 W
	3V410-15	\$51.75		1/2		2.79	3 W
	3V120-06	\$33.75		1/8	3/3/2/2	0.67	2.5 W
	3V220-08	\$33.75		1/4, 1/8 (Exh)		0.89	3 W
	3V320-10	\$41.40		3/8, 1/4 (Exh)		1.68	3 W
	3V420-15	\$72.45		1/2		2.79	3 W
	4V110-06	\$22.95		1/8	4/5/2/1	0.67	2.5 W
	4V210-08	\$22.05		1/4, 1/8 (Exh)		0.89	3 W
	4V310-10	\$29.70	3/8, 1/4 (Exh)	1.68		3 W	
	4V410-15	\$51.75	1/2	2.79		3 W	
	3V310B-08	\$34.20	1/4	3/3/2/1	1.68	3 W	
	4V310B-08	\$34.20	1/4	4/5/2/1	1.68	3 W	
	4V310B-10	\$34.20	3/8, 1/4 (Exh)		1.68	3 W	
	4V120-06	\$33.75	1/8	4/5/2/2	0.67	2.5 W	
	4V220-08	\$33.75	1/4, 1/8 (Exh)		0.89	3 W	
	4V320-10	\$41.40	3/8, 1/4 (Exh)		1.68	3 W	
	4V420-15	\$72.45	1/2		2.79	3 W	
	4V130C-06	\$58.50	1/8	4/5/3/2 Closed Center	0.5	2.5 W	
	4V230C-08	\$58.50	1/4, 1/8 (Exh)		0.67	3 W	
	4V330C-10	\$80.55	3/8, 1/4 (Exh)		1	3 W	
	4V430C-15	\$103.50	1/2	4/5/3/2 Pressure Center	1.68	3 W	
	4V130P-06		1/8		0.5	2.5 W	
	4V130P-08		1/4, 1/8 (Exh)	4/5/3/2 Exhaust Center	0.67	3 W	
	4V130P-10		3/8, 1/4 (Exh)		1	3 W	
	4V130P-15		1/2	1.68	3 W		
	4V130E-06		1/8	4/5/3/2 Exhaust Center	0.5	2.5 W	
	4V130E-08		1/4, 1/8 (Exh)		0.67	3 W	
	4V130E-10		3/8, 1/4 (Exh)		1	3 W	
		4V130E-15		1/2	1.68	3 W	
		SAR313	\$72.00	Voltage: 24VDC; DIN Connection (with LED indicator & Conduit Terminal)	Port Size: 5/16, 8MM OD Tube	4/5/2/1	1.68



	Part No.	Price	Voltage Options	Electrical Connection Options	Power Consumption	Specifications
	100C	\$6.48	Voltage Options: 1 = 12 VDC 2 = 24VDC 2A=24VAC 3 = 110VAC 4 = 220VAC	D = DIN (with LED indicator, conduit terminal)	2.5 W	Insulation: F Class IP65; Coil Duty Cycle: 100% ED; CE Certification
	200C	\$6.48			3W	
	100C	\$6.48		G = Grommet (18" Lead Wire)	2.5 W	
	200C	\$6.48			3 W	

Air Pilot Valve List Price

	Part No.	Price	Port Size (NPT)	# Ways/Port/ Position/Pilot	Cv		Part No.	Price	Port Size (NPT)	# Ways/Port/ Position/Pilot	Cv
	3A110-06	\$12.30	1/8	3/3/2/1	0.67		4A130C-06	\$12.30	1/8	4/5/3/2 Closed Center	0.5
	3A210-08	\$15.75	1/4, 1/8 (Exh)		0.89		4A230C-08		1/4, 1/8 (Exh)		0.67
	3A310-10	\$20.70	3/8, 1/4 (Exh)		1.68		4A330C-10		3/8, 1/4 (Exh)		1
	3A410-15	\$34.20	1/2		2.79		4A430C-15		1/2		1.68
	3A120-06	\$21.60	1/8	3/3/2/2	0.67		4A130P-06		1/8	4/5/3/2 Pressure Center	0.5
	3A220-08	\$22.05	1/4, 1/8 (Exh)		0.89		4A130P-08		1/4, 1/8 (Exh)		0.67
	3A320-10	\$26.10	3/8, 1/4 (Exh)		1.68		4A130P-10		3/8, 1/4 (Exh)		1
	3A420-15	\$44.55	1/2		2.79		4A130P-15		1/2		1.68
	4A110-06	\$17.10	1/8	4/5/2/1	0.67		4A130E-06		1/8	4/5/3/2 Exhaust Center	0.5
	4A210-08	\$17.10	1/4, 1/8 (Exh)		0.89		4A130E-08		1/4, 1/8 (Exh)		0.67
	4A310-10	\$20.70	3/8, 1/4 (Exh)		1.68		4A130E-10		3/8, 1/4 (Exh)		1
	4A410-15	\$34.20	1/2		2.79		4A130E-15		1/2		1.68
	4A120-06	\$21.60	1/8	4/5/2/2	0.67						
	4A220-08	\$22.05	1/4, 1/8 (Exh)		0.89						
	4A320-10	\$26.10	3/8, 1/4 (Exh)		1.68						
	4A420-15	\$44.55	1/2		2.79						

Integrated Aluminum Base Mounted Manifolds*

To Order, Please Specify: 1. Model No. 2. Voltage 3. Electrical Entry Options

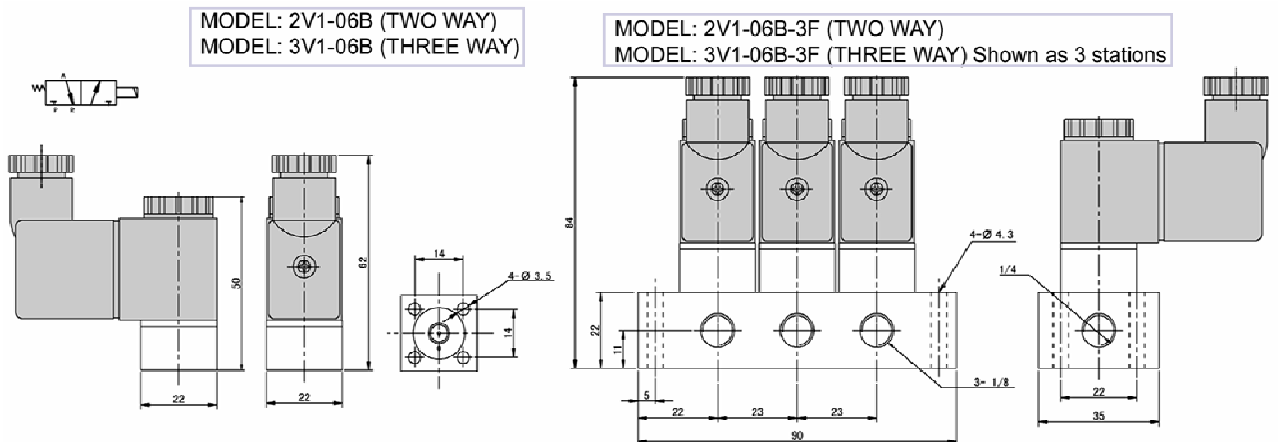
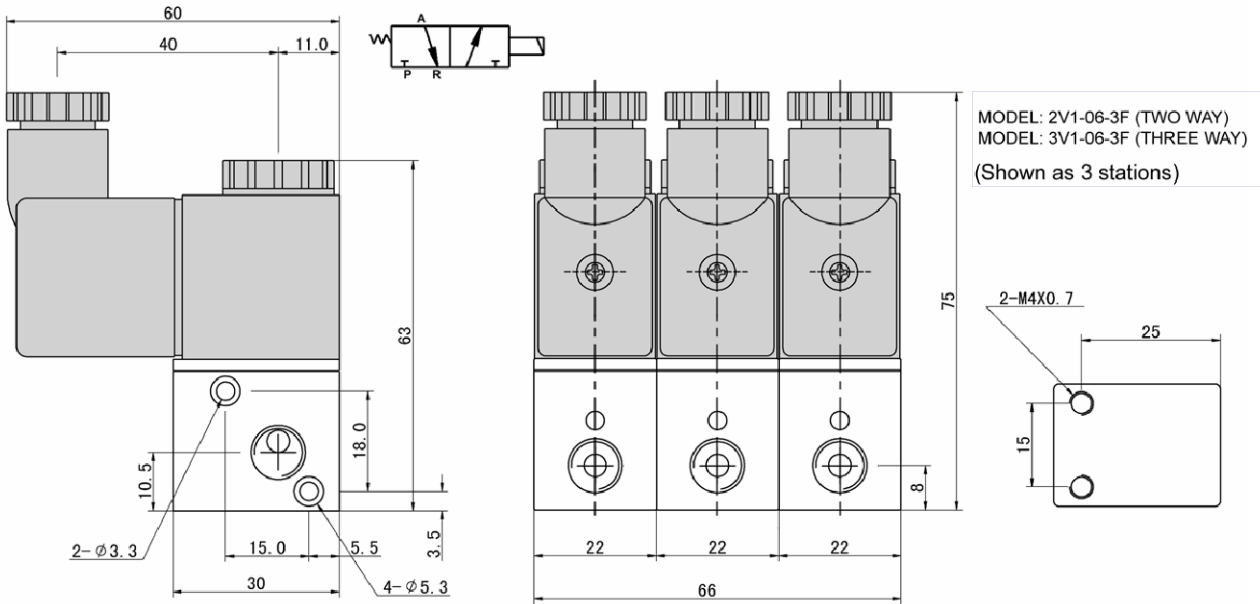
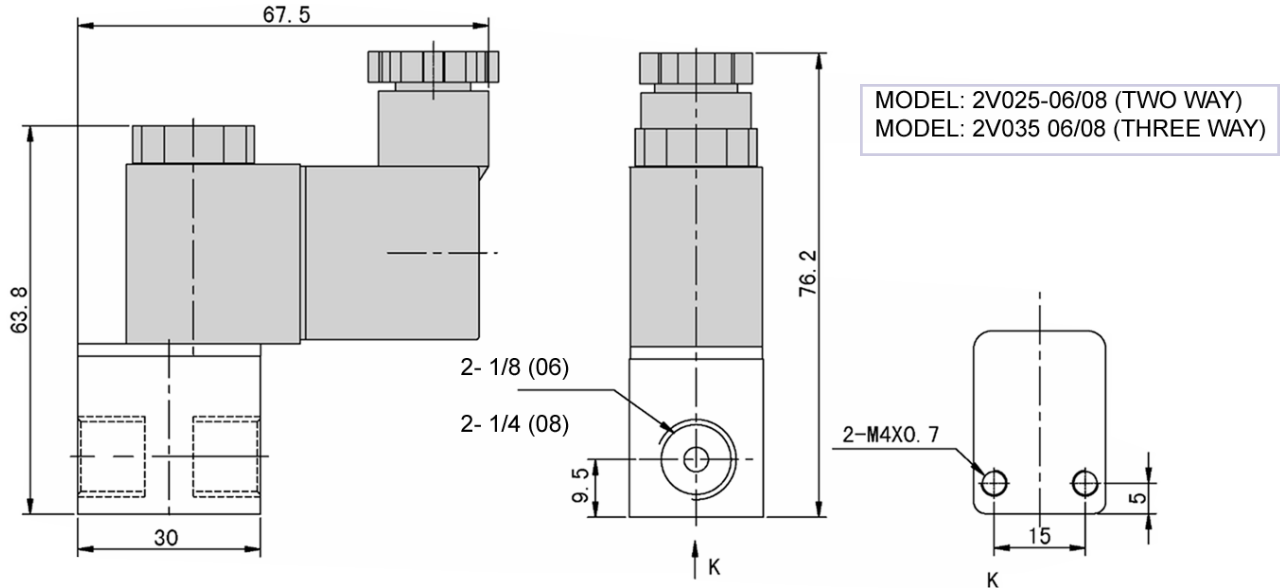
	Part No.	Number of Stations	Description		Part No.	Number of Stations	Description
	3V-100M-2	\$10.00/2 stations	Integrated Base for Mounting 3V100 or 3A-100 series Solenoid Valves		4V-200M-2	\$10.00/2 stations	Integrated Base for Mounting 4X200 or 4A-200 series Solenoid Valves
	3V-100M-4	\$20.00/4 stations			4V-200M-4	\$20.00/4 stations	
	3V-100M-6	\$30.00/6 stations			4V-200M-6	\$30.00/6 stations	
	3V-100M-8	\$40.00/8 stations			4V-200M-8	\$40.00/8 stations	
	3V-100M-16	\$80.00/16 stations			4V-200M-16	\$80.00/16 stations	
	3V-100M-B	\$4.40/blank plate			4V-200M-B	\$4.40/blank plate	
	3V-200M-2	\$10.00/2 stations	Integrated Base for Mounting 3V200 or 3A-200 series Solenoid Valves		4V-300M-2	\$15.00/2 stations	Integrated Base for Mounting 4V300 or 4A-300 series Solenoid Valves
	3V-200M-4	\$20.00/4 stations			4V-300M-4	\$30.00/4 stations	
	3V-200M-6	\$30.00/6 stations			4V-300M-6	\$45.00/6 stations	
	3V-200M-8	\$40.00/8 stations			4V-300M-8	\$60.00/8 stations	
	3V-200M-16	\$80.00/16 stations			4V-300M-16	\$120.00/16 stations	
	3V-200M-B	\$4.40/blank plate			4V-300M-B	\$4.40/blank plate	
	4V-100M-2	\$10.00/2 station	Integrated Base for Mounting 4V100 or 4A-100 series Solenoid Valves		4V-400M-2	\$25.00/2 stations	Integrated Base for Mounting 4V400 or 4A-400 series Solenoid Valves
	4V-100M-4	\$20.00/4 station			4V-400M-4	\$50.00/4 stations	
	4V-100M-6	\$30.00/6 station			4V-400M-6	\$75.00/6 stations	
	4V-100M-8	\$40.00/8 stations			4V-400M-8	\$100.00/8 stations	
	4V-100M-16	\$80.00/16 stations			4V-400M-16	\$200.00/16 stations	
	4V-100M-B	\$4.40/blank plate			4V-400M-B	\$4.40/blank plate	

* Includes mounting hardware and seals

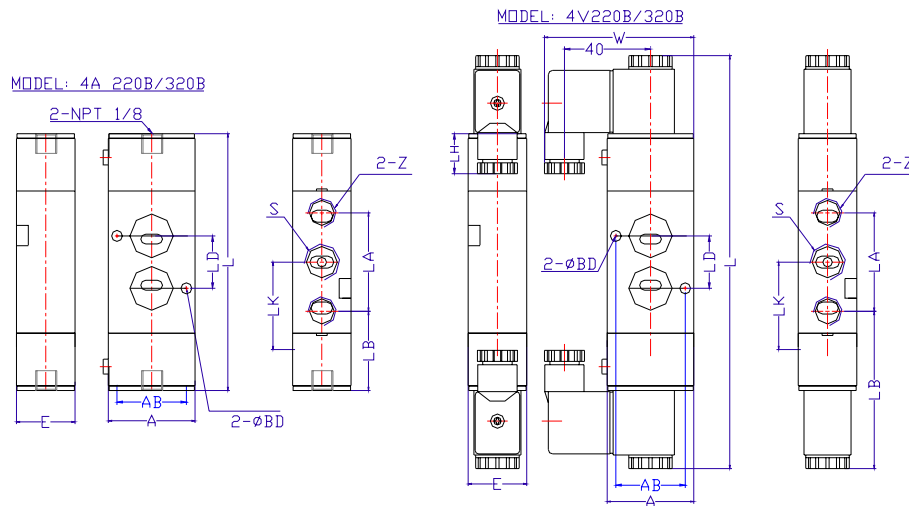
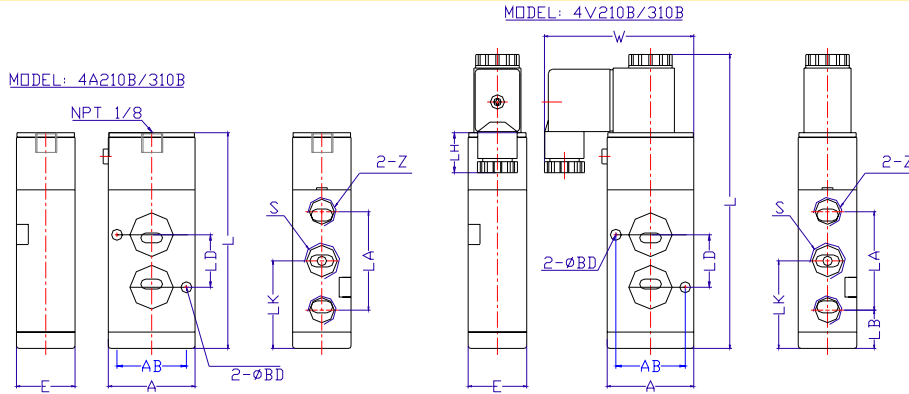
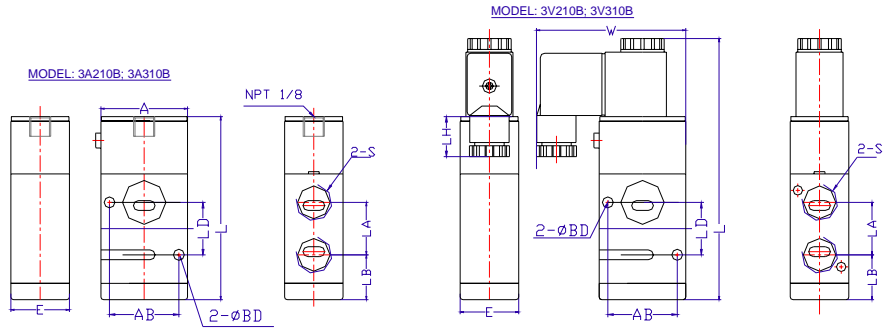
Solenoid Valve & Air Pilot Valves Specifications

Valve Type	3V & 4V 100-400 Series Valves	2V1, 3V1, 2V025-035 Series Valves	3A & 4A 100-400 Series Valves
Port & Mounting	Body Ported, Manifold Mounted	Body Ported, Stacking or Manifold Mounted	Body Ported, Manifold Mounted
Action & Motion	Internal Pilot, Spool Design	Direct Acting, Poppet Design	External Air Pilot, Spool Design
Operating Pressure	21 to 115 PSI	Vacuum to 115 PSI	0 to 115 PSI
Coil Insulation & Protection Class	F Class, IP65 (CE Certification)	F Class, IP65 (CE Certification)	N/A
Coil Duty Cycle	100% ED	100% ED	100% ED
Manual Override	Non-Locking: 100 series , Locking: 200 to 400 series	Non-Locking	N/A
Electrical Connection	D = DIN (with LED indicator, conduit terminal) G = Grommet (18" Lead Wire)		N/A
Working Medium	40 micron filtered air or inert gas	40 micron filtered air, inert gas & liquid	40 micron filtered air or inert gas
Maximum Pressure	180 PSI		
Operating Temperature	14 to 140 Deg. F (-10 to 60 Deg. C)		
Body Material	Aluminum		
Seal Material	NBR (Buna N)		
Lubrication	Not Required		

Solenoid Valve Dimensions

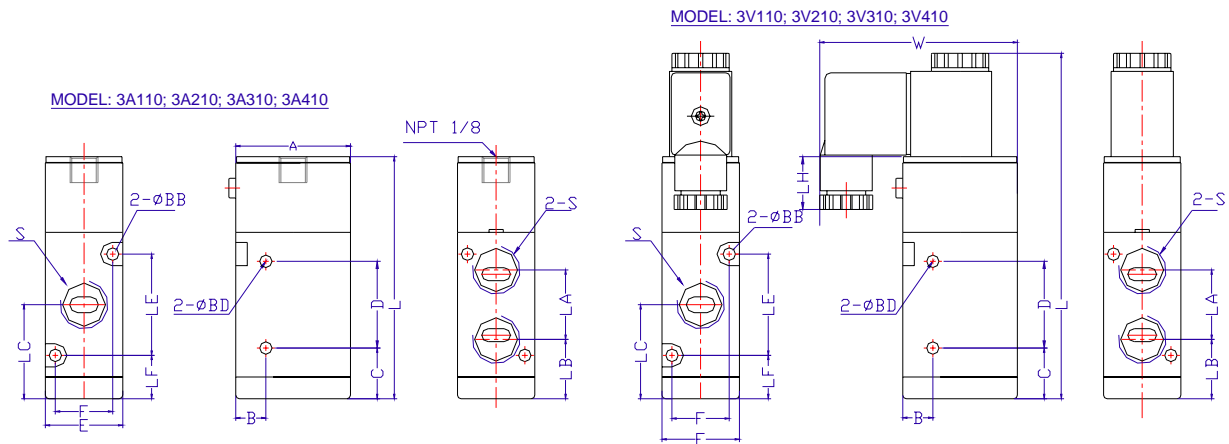


Solenoid & Air Pilot Valves Dimensions

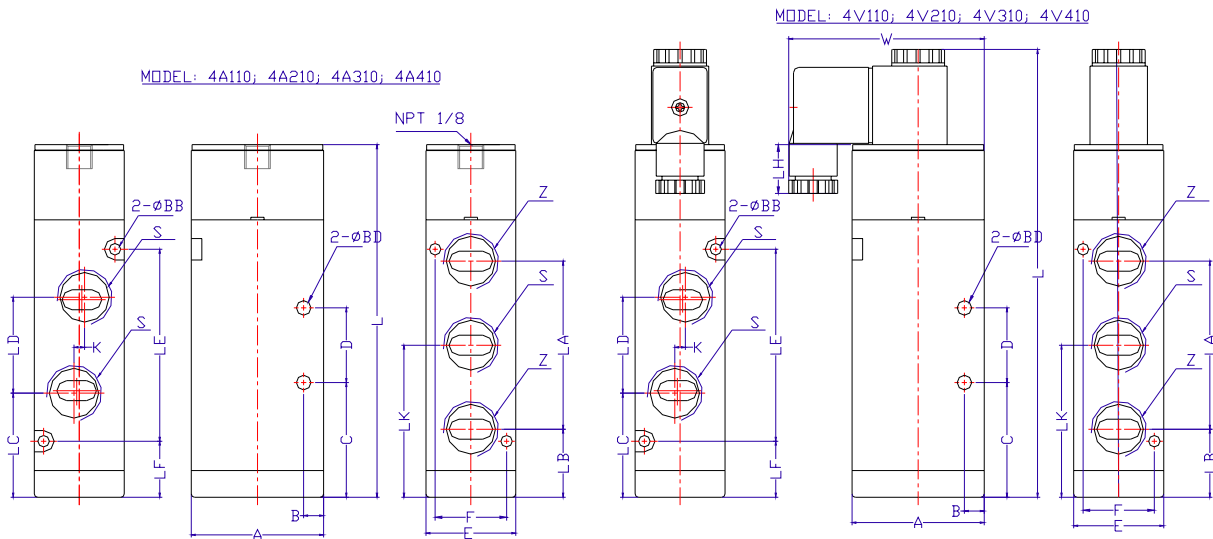


MODEL	A	E	L	S	W	Z	AB	BD	LA	LB	LD	LH	LK
3A210-08B	35	22	77.7	1/4	66.5		29	4.3	18	21			
3A310-8B	40	27	80.5	3/8	69		32	5.5	24	20.5			
3A310-10B	40	27	80.5	3/8	69		32	5.5	24	20.5			
3V210-08B	35	22	111.5	1/4	66.5		29	4.3	18	21		18	
3V310-8B	40	27	119.4	1/4	69		32	5.5	24	20.5		18	
3V310-10B	40	27	119.4	3/8	69		32	5.5	24	20.5		18	
4A210-08B	35	22	77.7	1/4	66.5	1/8	29	4.3	36	13.5	23		31.7
4A310-8B	40	27	95.5	1/4	69	1/4	32	5.5	45	17.5	24		40
4A310-10B	40	27	95.5	3/8	69	1/4	32	5.5	45	17.5	24		40
4V210-08B	35	22	116.5	1/4	66.5	1/8	29	4.3	36	13.5	23	18	32.5
4V310-8B	40	27	134.5	1/4	69	1/4	32	5.5	45	17.5	24	18	40
4V310-10B	40	27	134.5	3/8	69	1/4	32	5.5	45	17.5	24	18	40
4A220-08B	35	22	92	1/4	66.5	1/8	29	4.3	36	28	23		46
4A320-8B	40	27	111	1/4	69	1/4	32	5.5	45	33	24		55.5
4A320-10B	40	27	111	3/8	69	1/4	32	5.5	45	33	24		55.5
4V220-08B	35	22	169.8	1/4	66.5	1/8	29	4.3	36	66.9	23	18	84.9
4V320-8B	40	27	188.8	1/4	69	1/4	32	5.5	45	71.9	24	18	94.4
4V320-10B	40	27	188.8	3/8	69	1/4	32	5.5	45	71.9	24	18	94.4

Solenoid & Air Pilot Valves Dimensions

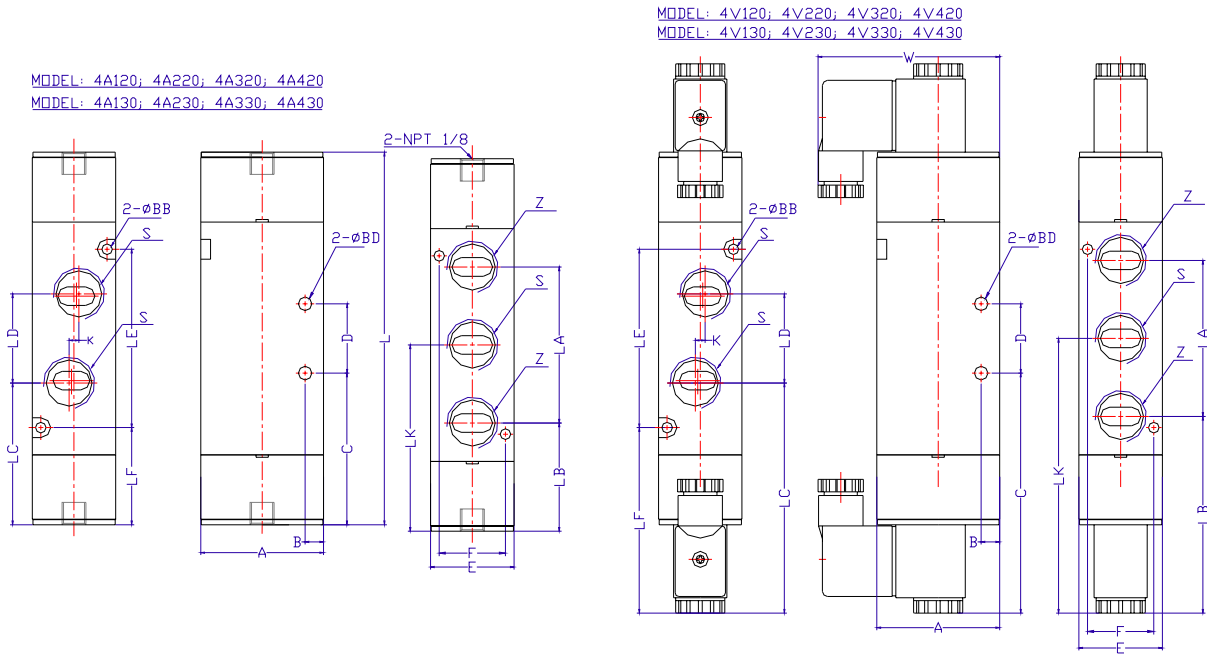


MODEL	A	B	D	E	F	L	S	W	BB	BD	LA	LB	LC	LE	LF	LH
3A110-06	27	7.7	21	18.0	13	56.5	1/8	53.5	3.3	3.3	16	14.0	23	19	12.5	
3A210-08	35	8.0	25	22.0	17	77.7	1/4	66.5	3.3	4.3	18	21.0	31	33	12.5	
3A310-10	40	10.5	30	27.0	20	80.5	3/8	69	4.3	4.3	24	20.5	32.5	35	15	
3A410-15	50	13.5	51	34.0	27	96.5	1/2	73.9	4.3	5.5	36	25.5	41.5	44	15.5	
3V110-06	27	7.7	21	18.0	13	85.8	1/8	53.5	3.3	3.3	16	14.0	23	19	12.5	10
3V210-08	35	8.0	25	22.0	17	111.5	1/4	66.5	3.3	4.3	18	21.0	31	33	12.5	18
3V310-10	40	10.5	30	27.0	20	119.4	3/8	69	4.3	4.3	24	20.5	32.5	35	15	18
3V410-15	50	13.5	51	34.0	27	137.0	1/2	73.5	4.3	5.5	36	25.5	41.5	44	15.5	18

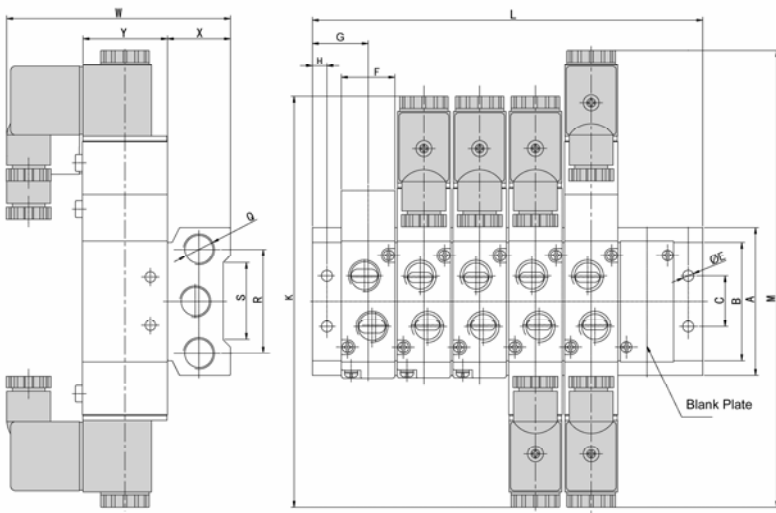


MODEL	A	B	C	D	E	F	K	L	S	W	Z	BB	BD	LA	LB	LC	LD	LE	LF	LH	LK
4A110-06	27	4.0	21.0	14	18	13	3	68.7	1/8	53.5	1/8	3.3	3.3	28	14.2	20.2	16	30	13.0		28.2
4A210-08	35	7.0	21.5	20	22	17	3	77.7	1/4	66.5	1/8	3.3	4.3	36	13.5	21.0	21	38	12.5		31.7
4A310-10	40	6.5	28.0	24	27	20	4	95.5	3/8	69	1/4	4.3	4.3	45	17.5	28.0	24	50	15.0		40.0
4A410-15	50	7.5	43.0	28	34	27	4	128	1/2	73.5	1/2	4.3	5.5	63	25.5	39.0	36	72	21.0		57.0
4V110-06	27	4.0	21.0	14	18	13	3	98	1/8	53.5	1/8	3.3	3.3	28	14.0	20.0	16	30	13.0	10	28.0
4V210-08	35	7.0	21.5	20	22	17	3	116.5	1/4	66.5	1/8	3.3	4.3	36	13.5	21.0	21	38	12.5	18	32.5
4V310-10	40	6.5	28.0	24	27	20	4	134.5	3/8	69	1/4	4.3	4.3	45	17.5	28.0	24	50	15.0	18	40.0
4V410-15	50	7.5	43.0	28	34	27	4	167.9	1/2	73.5	1/2	4.3	5.5	63	25.5	39.0	36	72	21.0	18	57.0

Solenoid & Air Pilot Valves & Manifolds Dimensions



MODEL	A	B	C	D	E	F	K	L	S	W	Z	BB	BD	LA	LB	LC	LD	LE	LF	LH	LK
4A120-06	27	4.0	33.5	14	18	13	3	81	1/8	53.5	1/8	3.3	3.3	28	26.5	32.5	16	30	25.5		40.5
4A220-08	35	7.0	36.0	20	22	17	3	92	1/4	66.5	1/8	3.3	4.3	36	28.0	37.0	21	38	27.0		46.0
4A320-10	40	6.5	43.5	24	27	20	4	111	3/8	69	1/4	4.3	4.3	45	33.0	43.5	24	50	30.5		55.5
4A420-15	50	7.5	51.0	28	34	27	4	128	1/2	73.5	1/2	4.3	5.5	63	39.5	71.0	36	72	35.0		71.0
4V120-06	27	4.0	62.8	14	18	13	3	139.5	1/8	53.5	1/8	3.3	3.3	28	56.0	52.0	16	30	54.8	10	69.8
4V220-08	35	7.0	74.9	20	22	17	3	169.8	1/4	66.5	1/8	3.3	4.3	36	66.9	74.4	21	38	65.9	18	84.9
4V320-10	40	6.5	82.4	24	27	20	4	188.8	3/8	69	1/4	4.3	4.3	45	71.9	82.4	24	50	69.4	18	94.4
4V420-15	50	7.5	96.9	28	34	27	4	217.5	1/2	73.5	1/2	4.3	5.5	63	79.4	92.9	36	72	74.9	18	110.9
4A130-06	27	4.0	33.5	14	18	13	3	96	1/8	53.5	1/8	3.3	3.3	28	26.5	32.5	16	30	25.5		40.5
4A230-08	35	7.0	36.0	20	22	17	3	110	1/4	66.5	1/8	3.3	4.3	36	28.0	37.0	21	38	27.0		46.0
4A330-10	40	6.5	43.5	24	27	20	4	130	3/8	69	1/4	4.3	4.3	45	33.0	43.5	24	50	30.5		55.5
4A430-15	50	7.5	51.0	28	34	27	4	165	1/2	73.5	1/2	4.3	5.5	63	39.5	71.0	36	72	35.0		71.0
4V130-06	27	4.0	62.8	14	18	13	3	154.6	1/8	53.5	1/8	3.3	3.3	28	56.0	52.0	16	30	54.8	10	69.8
4V230-08	35	7.0	74.9	20	22	17	3	188.8	1/4	66.5	1/8	3.3	4.3	36	66.9	74.4	21	38	65.9	18	84.9
4V330-10	40	6.5	82.4	24	27	20	4	207.8	3/8	69	1/4	4.3	4.3	45	71.9	82.4	24	50	69.4	18	94.4
4V430-15	50	7.5	96.9	28	34	27	4	242.8	1/2	73.5	1/2	4.3	5.5	63	79.4	92.9	36	72	74.9	18	110.9



4V100-400M Manifold Dimensions

MODEL	A	B	C	E	F	G	H	K	L
100M	58	44	20	4.2	18.3	19	5	140	(N-1)*19+38
200M	61	51	21	4.3	22.4	23	6	170	(N-1)*23+46
300M	75	65	26	4.5	27.3	27	6	189	(N-1)*28+54
400M	104	95	32	5.5	34.3	31.5	7	222	(N-1)*35+63
MODEL	M	Q	R	S	T	W	X	Y	
100M	155	1/4	40	30	M3x.5	78.5	25	27	
200M	189	1/4	43	32	M3x.5	92.5	26	35	
300M	208	3/8	53	48	M4x.7	99	30	40	
400M	243	1/2	68	67	M4x.7	112	38	50	